

LD1092-E3

Shallow Recessed Low Glare Adjustable LED Downlight With Baffle



Install sheet - Page 1

SPECIFICATION

LED recessed luminaires are class III for Safety Extra Low Voltage **DC** supply. The product should only be used with a supplied or LightGraphix approved **350mA, 500mA** or **700mA** constant current driver.

Suitable for mounting on normally flammable surfaces.

Lamp: **E3 LED Engine.**

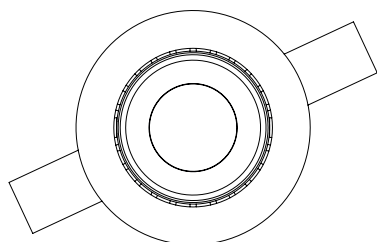
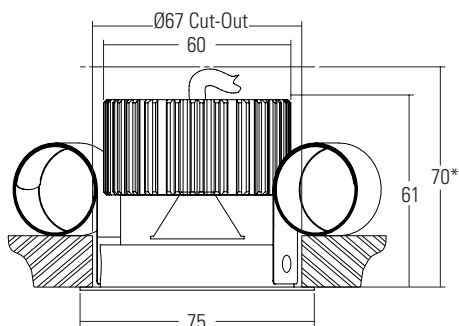
This fitting is **IP40** or **IP65** rated.

Lumen Maintenance: L90B5 at 90,000hrs.

LD1092- E3	
Product & LED Output Code	Power Output
LD1092-E3 - 350	350mA 5W
LD1092-E3 - 500	500mA 7W
LD1092-E3 - 700	700mA 10W

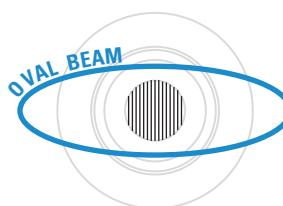
INSTALLATION

1. Prepare cut out: Ø67mm.
2. Feed cable through to the driver's location. Connect luminaire to the specified driver, ensuring it is disconnected from the mains side. **NOTE: Connections in wet environments. Make IP68 connection to stop water travelling along the cables, causing water and electrical damage!**
3. Partially uncoil the springs on the fitting, and push into through cut-out. The fitting should pull itself up into the cut-out.
4. When specified with an Oval beam (/OB), orientation of the fitting will be critical and will ensure a consistent look across all fittings.
5. Adjust the tilt angle of the LED fitting into the desired position.
6. Confirm installation was successful by powering up the fitting. If there is no light output, switch off power immediately and verify wiring.



*See ceiling void requirements. Add 4mm if specifying with honeycomb louvre.

/OB
Oval Beam Orientation



Wall/Lit Surface

SEE CONSTANT CURRENT WIRING SHEET FOR IN SERIES WIRING DIAGRAM

WIRING

Do not power up until fitting is wired correctly! Constant current LEDs must be wired in series, polarity is critical. Please refer to specified driver sheet for details on the minimum and maximum number of LEDs per circuit.

IMPORTANT

Make sure that all cables and connections are securely connected before switching on the power. Failing to do this can lead to failure of the LEDs and/or the driver. If the LEDs do not work upon power up, turn off the power source immediately and check the polarity of the wiring. Any attempt made to open up and/or modify the luminaire will invalidate the manufacturers warranty. This is inclusive of but not limited to removal of the LightGraphix product label or removal of any parts from the main body of the product including bezels, electrical components and factory fitted fixing methods (unless otherwise stated in these instructions).

CORE COLOUR & POLARITY		
Colour of Cable	Red	Black
Materials	+	-

MAINTENANCE

Clean with soft damp cloth.
LED: Please contact LightGraphix.

LD1092-E3

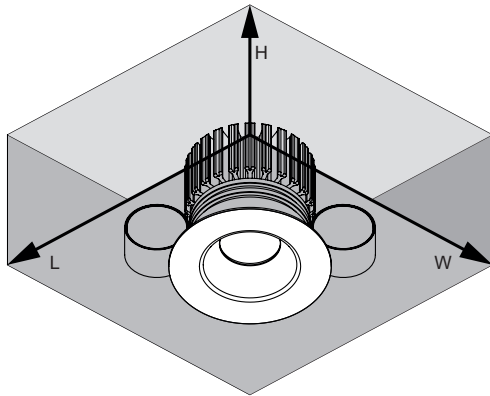
Shallow Recessed Low Glare Adjustable LED Downlight With Baffle



Install sheet - Page 2

SPECIFICATION

When installing into a surface where there will be air around the fitting, these are the minimum space requirements around the fixture to allow for proper cooling of the LED fitting.



Going beyond the minimum specified dimensions will allow the LED fitting to cool itself more efficiently, extending the life of the product.

NOTE: At 700mA the minimum dimension between a wall, within the ceiling void and the edge of the fitting must be 45mm.

Output current	Minimum void dimension requirements (Lmm x Wmm x Hmm)	Minimum void volume	
		cm ³	Litre(s)
LD1092-E3-350	120 x 120 x 70 (74 with /HL)	1,008cm ³	1.0
LD1092-E3-500	150 x 150 x 70 (74 with /HL)	1,575cm ³	1.6
LD1092-E3-700	150 x 150 x 70 (74 with /HL)	1,575cm ³	1.6

SEE CONSTANT CURRENT WIRING SHEET FOR IN SERIES WIRING DIAGRAM

WIRING

Do not power up until fitting is wired correctly! Constant current LEDs must be wired in series, polarity is critical. Please refer to specified driver sheet for details on the minimum and maximum number of LEDs per circuit.

IMPORTANT

Make sure that all cables and connections are securely connected before switching on the power. Failing to do this can lead to failure of the LEDs and/or the driver. If the LEDs do not work upon power up, turn off the power source immediately and check the polarity of the wiring. Any attempt made to open up and/or modify the luminaire will invalidate the manufacturers warranty. This is inclusive of but not limited to removal of the LightGraphix product label or removal of any parts from the main body of the product including bezels, electrical components and factory fitted fixing methods (unless otherwise stated in these instructions).

CORE COLOUR & POLARITY		
Colour of Cable	Red	Black
Materials	+	-

MAINTENANCE

Clean with soft damp cloth.
LED: Please contact LightGraphix.